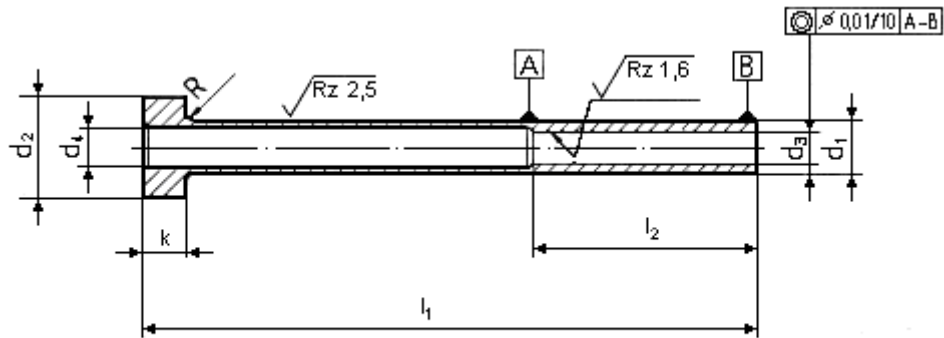


Auswerferhülsen DIN 16756 gehärtet DIN ISO 8405

- Abmessungen -



| d3 | d4 | d1 | d2 | l2 | k |
|------|------------|------|------------|----------|---|
| H5 | 0 - 0,1 | g6 | 0 - 0,2 | + 2 0 | |
| 1,5 | | | | 35 | 3 |
| 1,6 | 1,9 | 3,0 | 6 | | |
| 2,0 | | | | | |
| 2,2 | 2,4 | 4,0 | 8 | | |
| 2,5 | | | | 45 | 5 |
| 2,7 | 3,0 | 5,0 | 10 | | |
| 3,0 | 3,3 | | | | |
| 3,2 | 3,5 | | | | |
| 3,5 | | | | | |
| 3,7 | 4,0 | 6,0 | 12 | | |
| 4,0 | 4,3 | | | | |
| 4,2 | | | | 7 | 7 |
| 4,5 | 5,0 | 8,0 | 14 | | |
| 5,0 | 5,3 | | | | |
| 5,2 | 5,5 | | | | |
| 5,5 | 6,0 | | | | |
| 6,0 | 6,3 | 10,0 | 16 | | |
| 6,2 | 6,5 | | | | |
| 8,0 | 8,3 | 12,0 | 20 | | |
| 8,2 | 8,5 | | | | |
| 10,0 | 10,3 | 14,0 | 22 | | |
| 10,5 | 11,0 | | | | |
| 12,0 | 12,3 | | | | |
| 12,5 | 13,0 | 16,0 | | | |

Werkstoff : Wolfram-Vanadium-legierter Werkzeugstahl
 Werkstoff Nr.: 1.2210, 1.2516 oder ähnlich
 Härte : Schaft 60 ± 2 HRc, Kopf 45 ± 5 HRc